

# **W65C22S DATA SHEET**

WDC reserves the right to make changes at any time without notice in order to improve design and supply the best possible product. Information contained herein is provided gratuitously and without liability, to any user. Reasonable efforts have been made to verify the accuracy of the information but no guarantee whatsoever is given as to the accuracy or as to its applicability to particular uses. In every instance, it must be the responsibility of the user to determine the suitability of the products for each application. WDC products are not authorized for use as critical components in life support devices or systems. Nothing contained herein shall be construed as a recommendation to use any product in violation of existing patents or other rights of third parties. The sale of any WDC product is subject to all WDC Terms and Conditions of Sales and Sales Policies, copies of which are available upon request.

Copyright ©1981-2000 by The Western Design Center, Inc. All rights reserved, including the right of reproduction, in whole, or in part, in any form.

TABLE OF CONTENTS

**INTRODUCTION** ..... 1

    Figure 1-1 W65C22S Internal Architecture Block Diagram ..... 1

**SECTION 1 W65C22S FUNCTION DESCRIPTION** ..... 2

    Table 1-1 W65C22S Memory Map of Internal Registers ..... 2

    1.1 Peripheral Data Ports ..... 2

        Table 1-2 ORB, IRB Operation for (00)..... 3

        Table 1-3 ORA, IRA Operation for (01,0F) ..... 3

        Table 1-4 DDRB, DDRA Operation (02,03)..... 4

    1.2 Data Transfer - Handshake Control ..... 4

    1.3 Read Handshake Control ..... 4

        Figure 1-2 Read Handshake Operation..... 4

    1.4 Write Handshake Control ..... 5

        Figure 1-3 Write Handshake Operation..... 5

        Table 1-5 CA1, CA2, CB1, CB2 Control ..... 6

    1.5 Timer 1 Operation ..... 6

        Table 1-6 T1 Counter Format and Operation(04,05) ..... 7

        Table 1-7 T1 Latch Format and Operation(06,07) ..... 7

        Table 1-8 Auxiliary Control Register Format and Operation (0B) ..... 8

    1.6 Timer 1 One-Shot Mode ..... 9

        Figure 1-4 One-Shot Mode Timing ..... 9

    1.7 Timer 1 Free-Run Mode ..... 9

        Figure 1-5 Free-Run Mode Timing ..... 10

    1.8 Timer 2 Operation ..... 10

        Table 1-9 T2 Counter Format and Operation(08,09) ..... 10

    1.9 Timer 2 One-Shot Mode ..... 11

    1.10 Timer 2 Pulse Counting Mode..... 11

        Figure 1-6 Pulse Counting Mode Timing..... 11

    1.11 Shift Register Operation ..... 11

        Table 1-10 Shift Register and Auxiliary Control Register Control Bits(0A,0B) ..... 12

    1.12 Shift Register Input Modes..... 12

        Figure 1-7 Shift In - Counter T2 Control Timing ..... 13

        Figure 1-8 Shift In - PHI2 Clock Control Timing ..... 13

        Figure 1-9 Shift In - External CB1 Clock Control Timing..... 14

    1.13 Shift Register Output Modes ..... 14

        Figure 1-10 Shift Out - Free Running T2 Rate Timing ..... 14

        Figure 1-11 Shift Out - T2 Control Timing ..... 15

        Figure 1-12 Shift Out - PHI2 Control Timing ..... 15

        Figure 1-13 Shift Out - External CB1 Clock Control Timing ..... 16

    1.14 Interrupt Operation ..... 16

        Table 1-11 Interrupt Flag Register(0D) ..... 17

        Table 1-12 Interrupt Enable Register(0E) ..... 18

**SECTION 2 PIN FUNCTION DESCRIPTION** ..... 19

    Figure 2-1 W65C22S 44 Pin PLCC Pinout ..... 19

    Figure 2-2 W65C22S 40 Pin PDIP Pinout ..... 20

    Figure 2-3 W65C22S 44 Pin QFP Pinout ..... 21

    Table 2-1 Pin Function Table ..... 22

2.1 Peripheral Data Port A Control Lines ..... 22

2.2 Peripheral Data Port B Control Lines ..... 22

2.3 Chip Select ..... 22

2.4 Data Bus ..... 23

2.5 Interrupt Request ..... 23

2.6 Peripheral Data Port A ..... 23

    Figure 2-4 Port A Buffer Circuit ..... 23

2.7 Peripheral Data Port B ..... 24

    Figure 2-5 Port A, B, Data Bus, Buffer Circuit ..... 24

2.8 Phase 2 Internal Clock ..... 24

2.9 Reset ..... 24

2.10 Register Select ..... 24

2.11 R/WB ..... 24

2.12 VDD and VSS ..... 24

**SECTION 3 TIMING, AC AND DC CHARACTERISTICS** ..... 25

3.1 Absolute Maximum Ratings ..... 25

    Table 3-1 Absolute Maximum Ratings ..... 25

3.2 DC Characteristics ..... 26

    Table 3-2 DC Characteristics ..... 26

3.3 General AC Characteristic Equations ..... 27

    Table 3-3A W65C22S 8MHz AC Characteristics Processor Interface Timing ..... 27

    Table 3-3B W65C22S 8MHz AC Characteristics Peripheral Interface Timing ..... 28

3.4 Timing Diagrams ..... 29

    Figure 3-1 Read Timing ..... 29

    Figure 3-2 Write Timing ..... 29

    Figure 3-3 Read Handshake, Pulse Mode Timing ..... 30

    Figure 3-4 Read Handshake, Handshake Mode Timing ..... 30

    Figure 3-5 Write Handshake, Pulse Mode Timing ..... 30

    Figure 3-6 Write Handshake, Handshake Mode Timing ..... 31

    Figure 3-7 Peripheral Data, Input Latching Timing ..... 31

    Figure 3-8 Data Shift Out, Internal or External Shift Clock Timing ..... 31

    Figure 3-9 Data Shift In, Internal or External Shift Clock Timing ..... 32

    Figure 3-10 External Shift Clock Timing ..... 32

    Figure 3-11 Pulse Count Input Timing ..... 32

    Figure 3-12 Test Load ..... 32

**SECTION 4 CAVEATS** ..... 33

4.1 Caveats..... 33

**SECTION 5 HARD CORE MODELS** ..... 34

**SECTION 6 SOFT CORE RTL MODEL SECTION** ..... 36

**SECTION 7 FIRM CORE MODEL**..... 36

**SECTION 8 ORDERING INFORMATION**..... 37

INTRODUCTION

The W65C22S Versatile Interface Adapter (VIA) is a flexible I/O device for use with the W65C series microprocessor family. The W65C22S includes functions for programmed control of two peripheral ports (Ports A and B). Two program controlled 8-bit bidirectional peripheral I/O ports allow direct interfacing between the microprocessor and selected peripheral units. Each port has input data latching capability. Two programmable Data Direction Registers (A and B) allow selection of data direction (input or output) on an individual line basis. Also provided are two programmable 16-bit Interval Timer/Counters with latches. Timer 1 may be operated in a One-Shot Interrupt Mode with interrupts on each count-to-zero, or in a Free-Run Mode with a continuous series of evenly spaced interrupts. Timer 2 functions as both an interval and pulse counter. Serial Data transfers are provided by a serial-to-parallel/parallel-to-serial shift register. Application versatility is further increased by various control registers, including an Interrupt Flag Register, an Interrupt Enable Register and two Function Control Registers. The IRQB output is an open drain.

KEY FEATURES OF THE W65C22S

- Advanced CMOS process technology for low power consumption
- Compatible with NMOS 6522 devices
- Low power consumption allows battery-powered operation (0.5mA per MHz)
- Two 8-bit, bidirectional peripheral I/O Ports
- Two powerful 16-bit programmable Interval Timer/Counters
- Serial bidirectional peripheral I/O Port
- Enhanced "handshake" feature
- Latched Input/Output Registers on both I/O Ports
- Programmable Data Direction Registers
- Two operating frequencies - 8 and 10 MHz
- TTL compatible I/O peripheral lines
- Single 5 volt power supply
- Bus compatible with high-speed W65C02S and W65C816S up to 10 MHz
- Register and Chip Selects specified for multiplexed operation

Figure 1-1 W65C22S Internal Architecture Block Diagram1-  
SECTION 1  
W65C22S FUNCTION DESCRIPTION

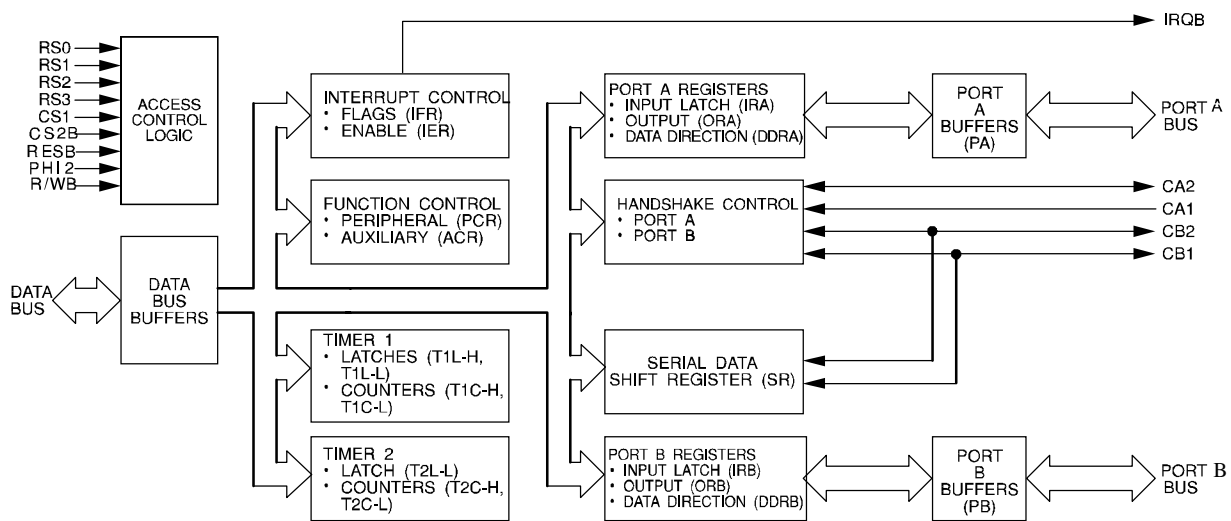


Table 1-1 W65C22S Memory Map of Internal Registers

Register Number	RS Coding				Register Designation	Description	
	RS3	RS2	RS1	RS0		Write	Read
0	0	0	0	0	ORB/IRB	Output Register "B"	Input Register "B"
1	0	0	0	1	ORA/IRA	Output Register "A"	Input Register "A"
2	0	0	1	0	DDRB	Data Direction Register "B"	
3	0	0	1	1	DDRA	Data Direction Register "A"	
4	0	1	0	0	T1C-L	T1 Low-Order Latches	T1 Low-Order Counter
5	0	1	0	1	T1C-H	T1 High-Order Counter	
6	0	1	1	0	T1L-L	T1 Low-Order Latches	
7	0	1	1	1	T1L-H	T1 High-Order Latches	
8	1	0	0	0	T2C-L	T2 Low-Order Latches	T2 Low-Order Counter
9	1	0	0	1	T2C-H	T2 High-Order Counter	
A	1	0	1	0	SR	Shift Register	
B	1	0	1	1	ACR	Auxiliary Control Register	
C	1	1	0	0	PCR	Peripheral Control Register	
D	1	1	0	1	IFR	Interrupt Flag Register	
E	1	1	1	0	IER	Interrupt Enable Register	
F	1	1	1	1	ORA/IRA	Same as Reg 1 except no "Handshake"	

## 1.1 Peripheral Data Ports.1

Both PA and PB operate in conjunction with a Data Direction Register (DDRA or DDRB). Under program control, the DDRA and DDRB specify which lines within the port bus are to be designated as inputs or outputs. A Logic 0 in any bit position of the register will cause the corresponding line to serve as an input, while a Logic 1 will cause the line to serve as an output.

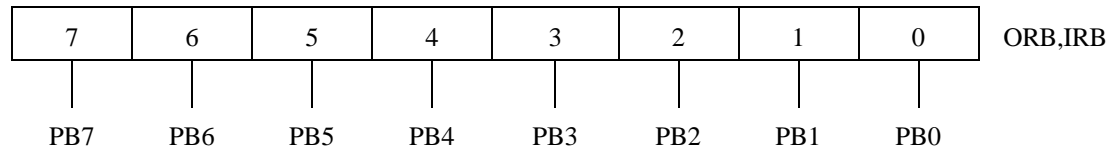
When a line is programmed as an output, it is controlled by a corresponding bit in the Output Register (ORA & ORB). A Logic 1 in the ORA or ORB will cause the corresponding output line to go high, while a Logic 0 will cause the line to go low. Under program control, data is written into the ORA or ORB bit positions corresponding to the output lines which have been programmed as outputs. Should data be written into bit positions corresponding to lines which have been programmed as input, the output lines will be unaffected.

When reading PA or PB, the contents of the corresponding Input Register (IRA or IRB) is transferred onto the Data Bus. When the input latching feature is disabled, IRA will reflect the logic levels present on the PA bus lines. However, with input latching enabled and the selected active transition on Peripheral A Control 1 (CA1) having occurred, IRA will contain the data present on the PA bus lines at the time of the transition. In this case, once IRA has been read, it will appear transparent, reflecting the current state of the PA bus lines until the next CA1 latching transition.

With respect to IRB, it operates similar to IRA except that for those PB bus lines which have been programmed as outputs, there is a difference. When reading IRA, the logic level on the bus line determines whether a Logic 1 or 0 is sensed. However, when reading IRB, the logic level stored in ORB is the logic level sensed. For this reason, those outputs which have large loading effects may cause the reading of IRA to result in the reading of a Logic 0 when a 1 was actually programmed, and reading Logic 1 when a 0 was programmed. However, when reading IRB, the logic level read will be correct, regardless of loading on the particular bus line.

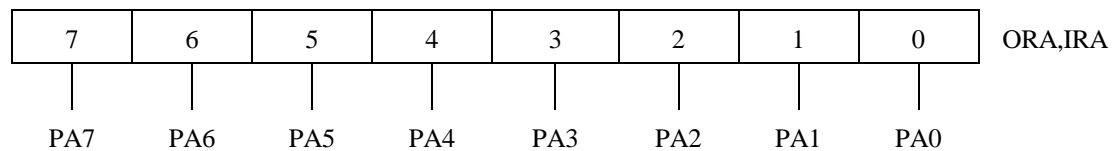
For information on formats and operation of the PA and PB registers, see Tables 1-2, 1-3 & 1-4. Note that the input latching modes are controlled by the Auxiliary Control Register (See Table 1-8).

Table 1-2 ORB, IRB Operation for Register 0 (\$00)



Pin Data Direction Selection	WRITE	READ
DDRB="1" (Output)	MPU writes Output Level (ORB)	MPU reads output register bit in ORB. Pin level has no effect.
DDRB="0" (Input) (Input latching disabled)	MPU writes onto ORB, but no effect on pin level, until DDRB changed.	MPU reads input level on PB pin.
DDRB="0" (Input) (Input latching enabled)		MPU reads IRB bit, which is the level of the PB pin at the time of the last CB1 active transition.

Table 1-3 ORA, IRA Operation for Register 1 (\$01)



Pin Data Direction Selection	WRITE	READ
DDRA="1" (Output) (Input latching disabled)	MPU writes Output Level (ORA)	MPU reads level on PA pin.
DDRA="1" (Input) (Input latching enabled)		MPU reads IRA bit which is the level of the PA pin at the time of the last CA1 active transition.
DDRA="0" (Input) (Input latching disabled)	MPU writes into ORA, but no effect on pin level, until DDRA changed.	MPU read level on PA pin.
DDRA="0" (Input) (Input latching enabled)		MPU reads IRA bit which is the level of the PA pin at the time of the last CA1 active transition.



Table 1-4 DDRB, DDRA Operation (\$02,\$03)

7	6	5	4	3	2	1	0	DDRB,DDR
PB7/PA7	PB6/PA6	PB5/PA5	PB4/PA4	PB3/PA3	PB2/PA2	PB1/PA1	PB0/PA0	

"0" Associated PB/PA pin is an input (high impedance)

"1" Associated PB/PA pin is an output, whose level is determined by ORB/OR A Bit.

### 1.2 Data Transfer - Handshake Control

A powerful feature of the W65C22S is its ability to provide absolute control over data transfers between the microprocessor and peripheral devices. This control is accomplished by way of "handshake" lines. PA lines Peripheral A Control 1,2 (CA1, CA2) handshake data transfers on both Read and Write operations, while PB lines Peripheral B Control 1,2 (CB1, CB2) handshake data on Write operations only.

### 1.3 Read Handshake Control.

Read Handshaking provides effective control of data transfers from a peripheral device to the microprocessor. To accomplish the Read Handshake, the peripheral devices generates a Data Ready signal to the W65C22S which indicates valid data is present on PA or PB. In most cases, this Data Ready signal will interrupt the microprocessor, which will then read the data and generate a Data Taken signal. Once the peripheral senses the Data Taken signal, new data will be placed on the bus. This process continues until the data transfer is complete.

Automatic Read Handshaking applies to PA only. The Data Ready signal is transmitted by the peripheral device over the CA1 interrupt line, while the Data Taken signal is generated and transmitted to the peripheral device over the CA2 line. When the Data Ready signal is received, it sets an internal flag in the Interrupt Flag Register (IFR). This flag may interrupt the microprocessor or it may be polled under program control. As an option, the Data Taken signal may be either a pulse or a level. In either case, it is set to a Logic 0 by the microprocessor and is cleared by the next Data Ready signal, see Figure 1-2.

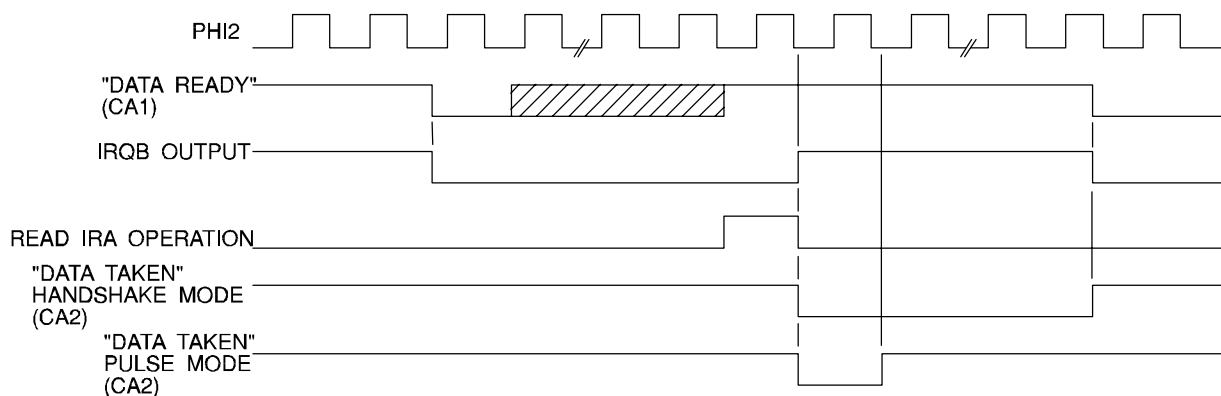
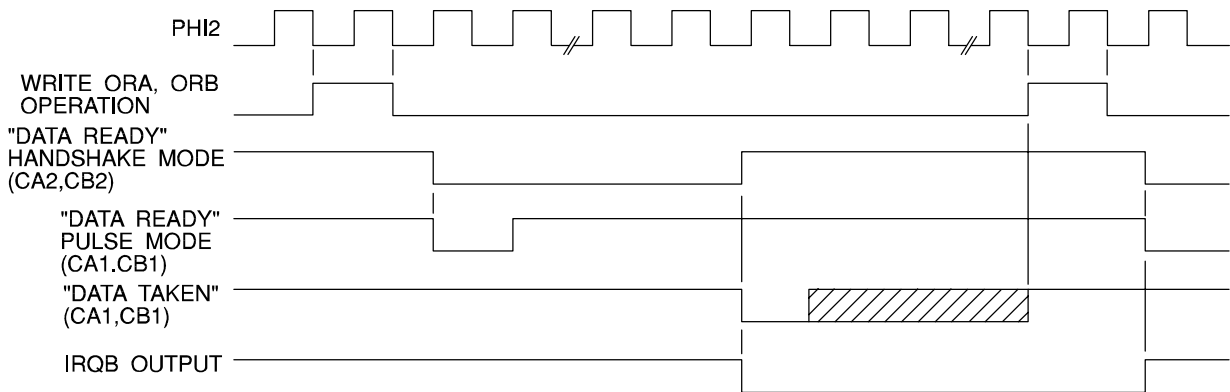


Figure 1-2 Read Handshake Operation1- (PA only)

1.4 Write Handshake Control.

The Write Handshake operation is similar to Read Handshaking. For Write Handshaking, however, the W65C22S generates the Data Ready signal and the peripheral device must generate the Data Taken return signal. Note that Write Handshaking may occur on both PA and PB. For a Write Handshake, CA2 or CB2 serve as the Data Ready output and can operate in either the Handshake Mode or the Pulse Mode. The Data Taken signal is received the CA1 or CB1. The Data Taken signal sets a flag in the Interrupt Flag Register and clears the Data Ready output signal, see Figure 1-3.



Note that the selection of Read or Write Handshake operating modes for CA1, CA2, CB1 and CB2 is accomplished by the Peripheral Control Register (PCR). See Table 1-5.

Figure 1-3 Write Handshake (PA and PB)

Table 1-5 CA1, CA2, CB1, CB2 Control1 (\$0C)

7	6	5	4	3	2	1	0	PCR
CB2 Control			CB1 Control	CA2 Control			CA1 Control	

CA2 Control

CB2 Control

7	6	5	Operation
0	0	0	Input-negative active edge
0	0	1	Independent interrupt input-negative edge*
0	1	0	Input-positive active edge
0	1	1	Independent interrupt input-positive edge*
1	0	0	Handshake output
1	0	1	Pulse output
1	1	0	Low output
1	1	1	High output

CB1 Interrupt Control

0 = Negative Active Edge
1 = Positive Active Edge

3	2	1	Operation
0	0	0	Input-negative active edge
0	0	1	Independent interrupt input-negative edge*
0	1	0	Input-positive active edge
0	1	1	Independent interrupt input-positive edge*
1	0	0	Handshake output
1	0	1	Pulse output
1	1	0	Low output
1	1	1	High output

CA1 Interrupt Control

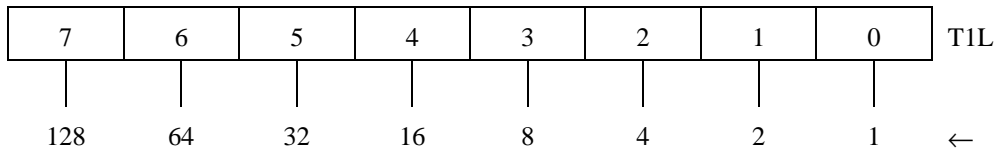
0 = Negative Active Edge
1 = Positive Active Edge

- \* If the CA2/CB2 control in the PCR is selected as "independent" interrupt input, then reading or writing the output register ORA/ORB will not clear the flag bit. Instead, the bit must be cleared by writing into the IFR, as described previously.

## 1.5 Timer 1 Operation

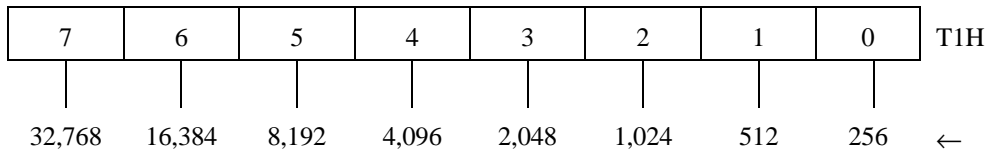
Interval Timer 1 (T1) consists of two 8-bit latches and a 16-bit counter. The latches serve to store data which is to be loaded into the counter. Once the counter is loaded under program control, it decrements at Phase 2 clock rate. Upon reaching zero, bit 6 of the Interrupt Flag Register (IFR) is set, causing Interrupt Request (IRQB) to go to a Logic 0 if the corresponding bit in the Interrupt Enable Register (IER) is set. Once the Timer reaches a count of zero, it will either disable any further interrupts (provided it has been programmed to do so), or it will automatically transfer the contents of the latches into the counter and proceed to decrement again. The counter may also be programmed to invert the output signal on PB7 each time it reaches a count of zero. Each of these counter modes is presented below. The T1 counter format and operation is shown in Table 1-6, with corresponding latch format and operation in Table 1-7. Additional control bits are provided in the Auxiliary Control Register (ACR) bits 6 and 7 to allow selection of T1 operating modes. The four available modes are shown in Table 1-8.

Table 1-6 T1 Counter Format and Operation1 (\$04,\$05)



WRITE - 8 bits loaded into T1 low-order latches. Latch contents are transferred into low-order counter at the time the high-order counter is loaded.

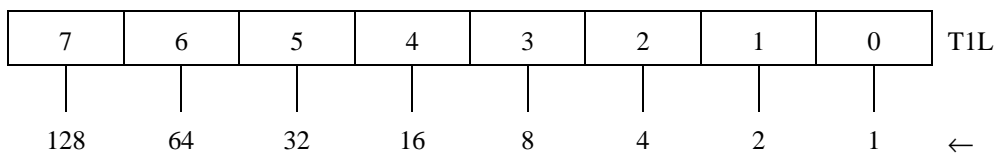
READ - 8 bits from T1 low-order counter transferred to MPU. T1 interrupt flag IFR6 is reset.



WRITE - 8 bits loaded into T1 high-order latches. Also, both high and low-order latches are transferred into T1 counter and this initiates countdown. T1 interrupt flag IFR6 is reset.

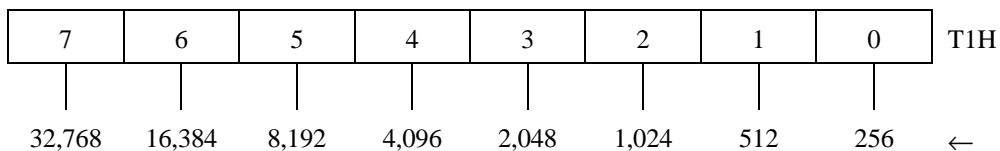
READ - 8 bits from T1 high-order counter transferred to MPU.

Table 1-7 T1 Latch Format and Operation1 (\$06,\$07)



WRITE - 8 bits loaded into T1 low-order latches. This operation is no different than a write into the T1 Low Order Register.

READ - 8 bits from T1 low-order latches transferred to MPU. Unlike reading the T1 Low Order Register, this does not cause reset of T1 interrupt flag IFR6.



WRITE - 8 bits loaded into T1 high-order latches. Unlike writing to the T1 Low Order Register, no latch- to-counter transfers take place. T1 interrupt flag IFR6 is reset.

READ - 8 bits from T1 high-order counter transferred to MPU.

Table 1-8 Auxiliary Control Register Format and Operation (\$0B)

7	6	5	4	3	2	1	0	ACR
T1 Timer Control		T2 Timer Control	Shift Register Control			PB	PA	

T1 Timer Control

7	6	Operation	PB7
0	0	Timed interrupt each time T1 is loaded	Disabled
0	1	Continuous interrupts	
1	0	Timed interrupt each time T1 is loaded	One shot output
1	1	Continuous interrupts	Square wave output

T2 Timer Control

5	Operation
0	Timed interrupt
1	Count down with pulses on PB6

Shift Register Control

4	3	2	Operation
0	0	0	Disabled
0	0	1	Shift in under control of T2
0	1	0	Shift in under control of PHI2
0	1	1	Shift in under control of external clock
1	0	0	Shift out free-running at T2 rate
1	0	1	Shift out under control of T2
1	1	0	Shift out under control of PHI2
1	1	1	Shift out under control of external clock

Latch Enable/Disable

1	0	Operation
0	0	Disable
1	1	Enable latching

It should be noted that the microprocessor does not write directly into the T1 low-order counter. Instead, this half of the counter is loaded automatically from the low-order register when the microprocessor writes into the high-order register and counter. In fact, it may not be necessary to write to the low-order register in some applications since the timing operation is triggered by writing to the high-order register and counter.

### 1.6 Timer 1 One-Shot Mode

Interval Timer T1 may operate in the One-Shot Mode which allows the generation of a single Interrupt Flag each time the Timer is loaded. The Timer can also be programmed to produce a single negative pulse on Data Port line PB7.

To generate a single interrupt, it is required that bits 6 and 7 of the ACR be a Logic 0. The low-order T1 counter or the low-order T1 latch must then be loaded with the low-order count value. Note that a load to a low-order T1 counter is effectively a load to a low-order T1 latch. Next, the high-order count value must be loaded into the high-order T1 counter, at which time the value is simultaneously loaded into the high-order T1 latch. During this load sequence, the contents of low-order T1 latch is transferred to low-order T1 counter. The counter will start counting down on the next PHI2 clock following the load sequence into high-order T1 counter, and will decrement at the PHI2 clock rate. Once the T1 counter reaches a zero count, the Interrupt Flag is set. To generate a negative pulse on PB7, the sequence is identical to the above except ACR7 must be a Logic 1. PB7 will then go to a Logic 0 following the load to high-order T1 counter, and will go to a Logic 1 again when the counter reaches a zero count. Once set, IFR6 the T1 Interrupt Flag is reset by either writing high-order T1 latch, or by reading low-order T1 counter, see Figure 1-4.

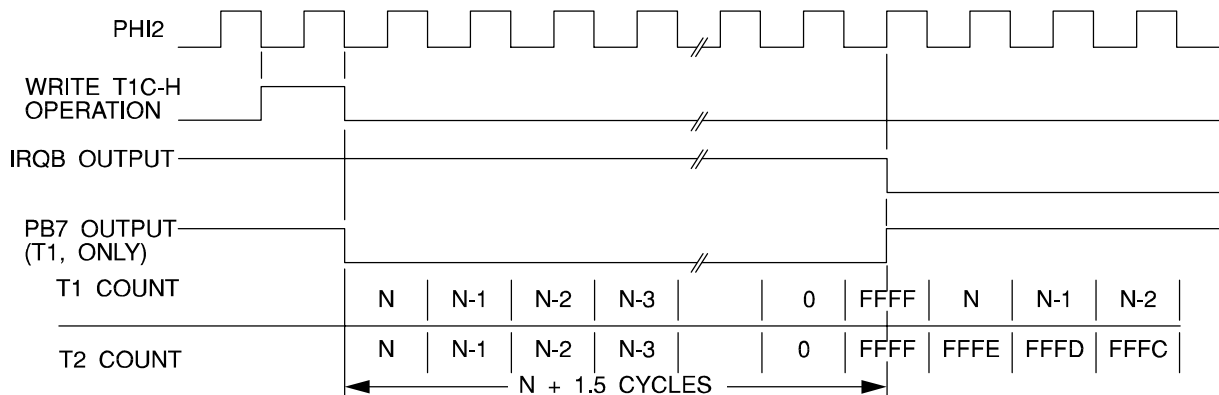


Figure 1-4 One-Shot Mode (Timer 1 and Timer 2)

### 1.7 Timer 1 Free-Run Mode

An important advantage within the W65C22S is the ability of the latches associated with the T1 counter to provide a continuous series of evenly spaced interrupts or a square wave on PB7. It should also be noted that the continuous series of interrupts and square waves are not affected by variations in the microprocessor interrupt response time. These advantages are all produced in the Free-Run Mode. When operating in the Free-Run Mode, the Interrupt Flag is set and the signal on PB7 is inverted each time the counter reaches a count of zero. In the Free-Run Mode, however, the counter does not continue to decrement after reaching a zero count. Instead, the counter automatically transfers to contents of the latch into the counter (16 bits) and then decrements from the new count value. As can be seen, it is not necessary to reload the timer in order to set the Interrupt Flag on the next count of zero. When set, the Interrupt Flag can be cleared by either reading low-order T1 counter or by writing directly into the IFR as will be discussed later, or by writing into high-order T1 latch.

Since the interval timers are all retriggerable, reloading the counter will always reinitialize the time-out period. Should the microprocessor continue to reload the counter before it reaches zero, counter time-out can be prevented. Timer 1 is able to operate in this manner provided the microprocessor writes into the high-order counter. By loading the latches only, the microprocessor can access the timer during each count-down operation without affecting the time-out in progress. In this way, data loaded into the latches will determine the length of the next subsequent time-out period. This capability is of value in the Free-Run Mode with the output enabled. In the Free-Run Mode, the signal on PB7 is inverted and IFR6 is set with each counter time-out. When the microprocessor responds to the interrupts with new data for the latches, it can determine the period of the next half-cycle during each half-cycle of the output signal on PB7. In this way, complex waveforms can be generated. See Figure 1-5.

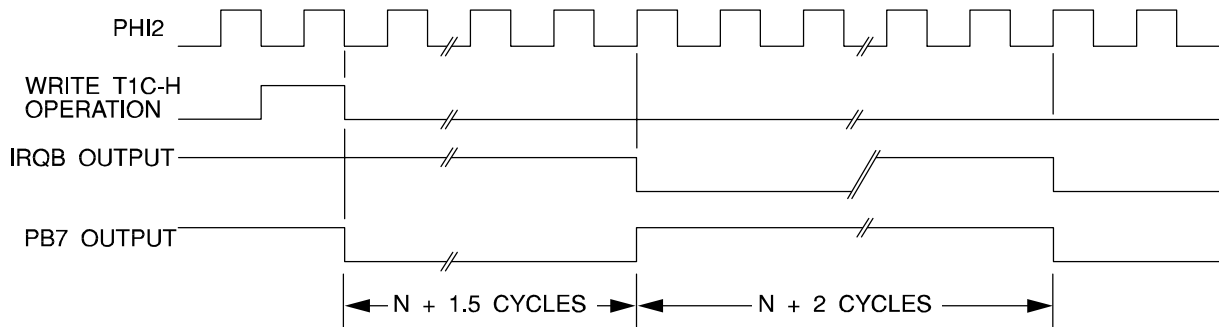


Figure 1-5 Free-Run Mode (Timer 1)

1.8 Timer 2 Operation.

Timer 2 (T2) operates in the One-Shot Mode only (as an interval timer), or as a pulse counter for counting negative pulses on PB6. A single control bit within ACR5 is used to select between these two modes. T2 is made up of a write-only low-order T2 latch, a read-only low-order T2 counter, and a read/write high-order T2 counter. This 16-bit counter decrements at a PHI2 clock rate. See Table 1-9.

Table 1-9 T2 Counter Format and Operation1 (\$08,\$09)

7	6	5	4	3	2	1	0	T2L
128	64	32	16	8	4	2	1	←

WRITE - 8 bits loaded into T2 low-order latches.  
 READ - 8 bits from T2 low-order counter transferred to MPU. IFR5 is reset.

7	6	5	4	3	2	1	0	T2H
32,768	16,384	8,192	4,096	2,048	1,024	512	256	←

WRITE - 8 bits loaded into T2 high-order counter. Also, low-order latches are transferred to low order counter. IFR5 is reset.  
 READ - 8 bits from T2 high-order counter transferred to MPU.



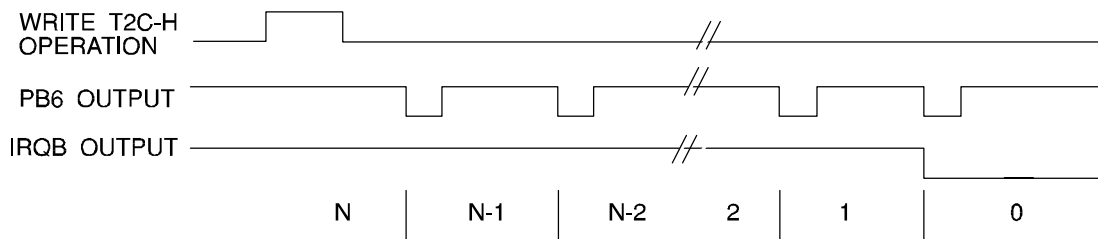
1.9 Timer 2 One-Shot Mode

Operation of Timer 2 in the One-Shot Mode is similar to Timer 1. That is, for each load high-order T2 counter operation, Timer 2 sets IFR5 for each countdown to zero. However, after a time-out, the T2 counters roll over to all 1's (\$FFFF) and continues to decrement. This two's complement decrement allows the user to determine how long IFR5 has been set. Since the Interrupt Flag logic is disabled after the initial interrupt set (zero count), further interrupts cannot be set by a subsequent count to zero. To enable the Interrupt Flag logic, the microprocessor must reload high-order T2 counter. The Interrupt Flag is cleared by either reading low-order T2 counter or by loading high-order T2 counter. See Figure 1-4.

1.10 Timer 2 Pulse Counting Mode.

In the Pulse Counting Mode, Timer 2 counts a predetermined number of negative-going pulses on PB6. To accomplish this, a count number is loaded into high-order T2 counter, which clears IFR5 logic and starts the counter to decrement each time a negative pulse is applied to PB6. When the T2 counter reaches a count of zero, IFR5 is set and the counter continues to decrement with each pulse on PB6. To enable IFR5 for subsequent countdowns, it is necessary to reload high-order T2 counter. The decrement pulse on line PB6 must be a Logic 0 during the leading edge of the PHI2 clock. See Figure 1-6.

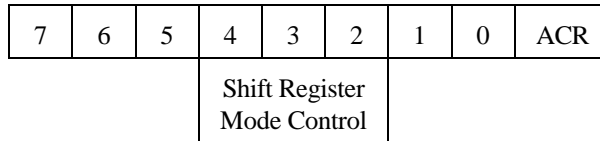
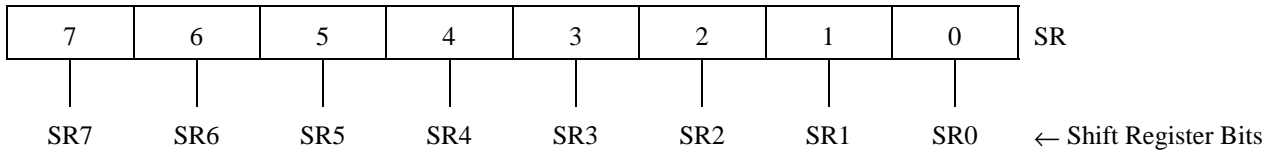
Figure 1-6 Pulse Counting Mode (Timer 2)



1.10 Shift Register Operation

The Shift Register (SR) performs bidirectional serial data transfers on line CB2. These transfers are controlled by an internal modulo-8 counter. Shift pulses can be applied to the CB1 line from an external source, or (with proper mode selection) shift pulses may be generated internally which will appear on the CB1 line for controlling external devices. Each SR operating mode is controlled by control bits within the ACR. See Table 1-10 for control bit information. See also Figures 1-7 through 1-13.

Table 1-10 Shift Register and Auxiliary Control Register Control (\$0A)



Shift Register Control

4	3	2	Operation
0	0	0	Disabled
0	0	1	Shift in under control of T2
0	1	0	Shift in under control of PHI2
0	1	1	Shift in under control of external clock (CB1)
1	0	0	Shift out free-running at T2 rate
1	0	1	Shift out under control of T2
1	1	0	Shift out under control of PHI2
1	1	1	Shift out under control of external clock (CB1)

- Notes:
1. When shifting out, bit 7 is the first bit out and simultaneously is rotated back into bit 0.
  2. When shifting in, bits initially enter bit 0 and are shifted towards bit 7.

1.11 Shift Register Input Modes.

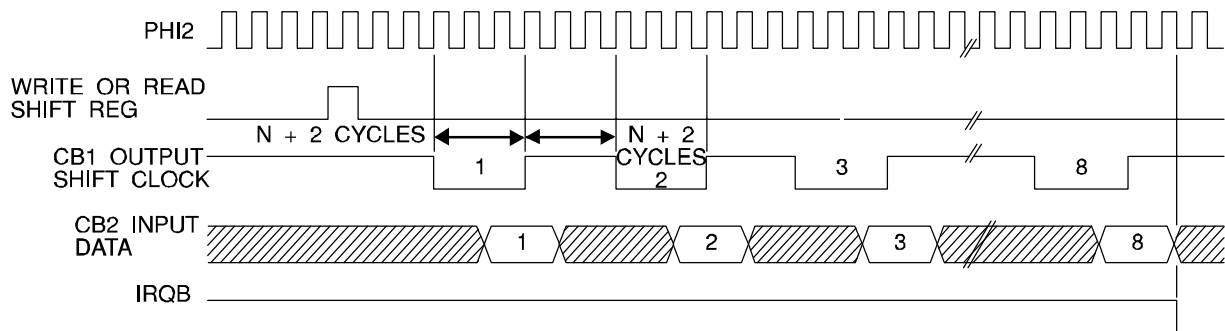
1.12.1 Shift Register Disabled (000)

In the 000 mode, the SR is disabled from all operation. The microprocessor can read or write the SR, but shifting is disabled and both CB1 and CB2 are controlled by bits in the PCR. The Shift Register Interrupt Flag (IFR2) is held low (disabled).

1.12.2 Shift In - Counter T2 Control (001)

In this mode, the shifting rate is controlled by the low order eight bits of counter T2. Shift pulses are generated on the CB1 line to control shifting in external devices. The time between transitions of the CB1 output clock is determined by the PHI2 clock period and the contents of the low-order T2 latch (N). Shifting occurs by writing or reading the SR. Data is shifted into the low-order bit first, and is then shifted into the next higher order bit on the negative-going edge of each clock pulse. Input data should change before the positive-going edge of the CB1 clock pulse. This data is then shifted into the SR during the PHI2 clock cycle following the positive-going edge of the CB1 clock pulse. After eight CB1 clock pulses, IFR2 will set and IRQB will go to a Logic 0. See Figure 1-7.

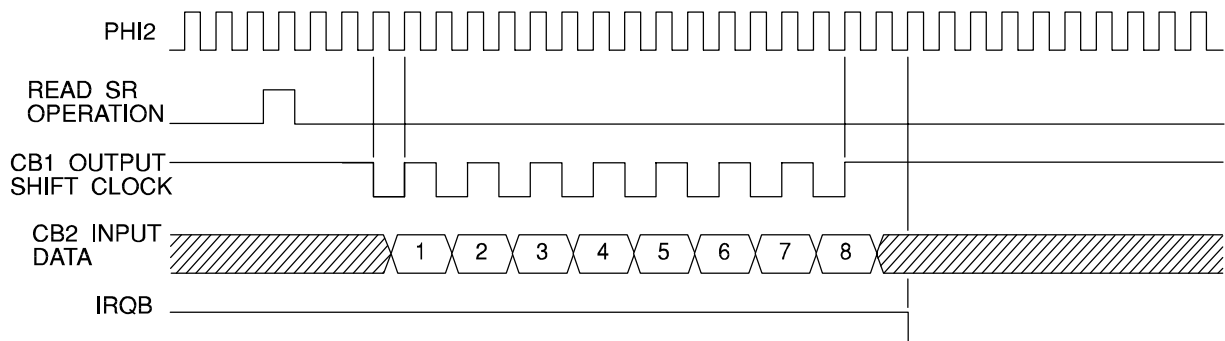
Figure 1-7 Shift In - Counter T2 Control



1.12.3 Shift In - PHI2 Clock Control (010)

In this mode, the shift rate is controlled by the PHI2 clock frequency. Shift pulses are generated on the CB1 line to control shifting in external devices. Timer 2 operates as an independent interval time and has no influence on the SR. Shifting occurs by reading or writing the SR. Data is shifted into the low order bit first, and is then shifted into the next higher order bit on the trailing edge of the PHI2 clock pulse. After eight clock pulses, IFR2 will be set, and output clock pulses on the CB1 line will stop. See Figure 1-8.

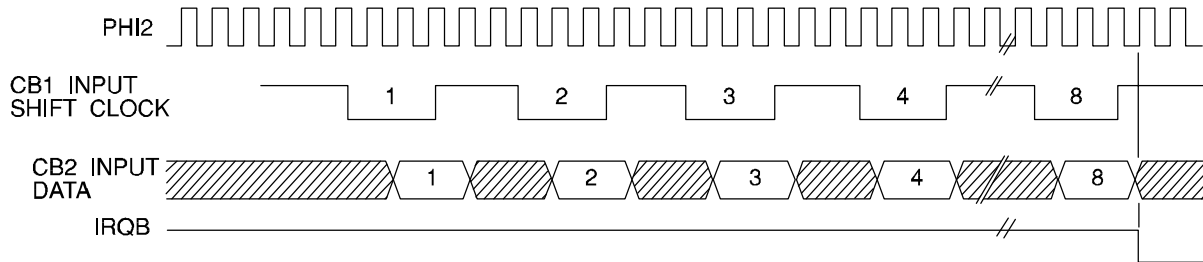
Figure 1-8 Shift In - PHI2 Clock Control



1.12.4 Shift In - External CB1 Clock Control (011)

In this mode, CB1 serves as an input to the SR. In this way, an external device can load the SR at its own pace. The SR counter will interrupt the microprocessor after each eight bits have been shifted in. The SR counter does not stop the shifting operation. Its function is simply that of a pulse counter. Reading or writing the SR resets IFR2 and initializes the counter to count another eight pulses. Note that data is shifted during the first PHI2 clock cycle following the positive-going edge of the CB1 shift pulse. For this reason, data must be held stable during the first full cycle following CB1 going high. See Figure 1-9.

Figure 1-9 Shift In - External CB1 Clock Control Timing

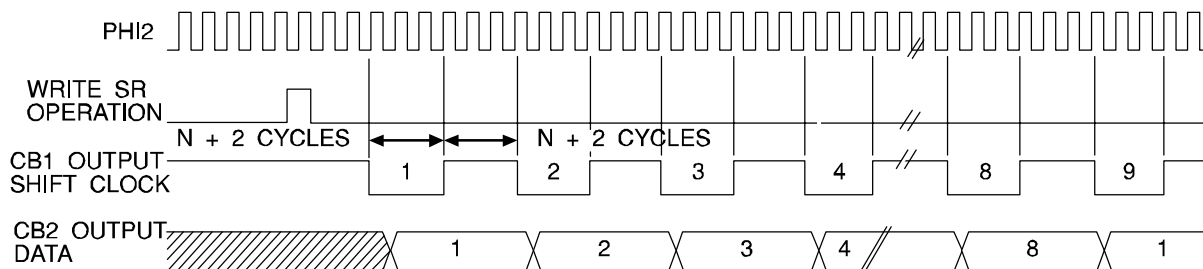


1.12 Shift Register Output Modes.

1.13.1 Shift Out - Free Running at T2 Rate (100)

This mode is similar to mode 101 in which the shifting rate is determined by T2. However, in mode 100 the SR Counter does not stop the shifting operation. Since SR7 is recirculated back into SR0, the eight bits loaded into the SR will be clocked onto the CB2 line repetitively. In this mode, the SR Counter is disabled and IRQB is never set. See Figure 1-10.

Figure 1-10 Shift Out - Free Running T2 Rate Timing



1.13.2 Shift Out - T2 Control (101)

In this mode, the shift rate is controlled by T2 (as in mode 100). However, with each read or write of the SR Counter is reset and eight bits are shifted onto the CB2 line. At the same time, eight shift pulses are placed on the CB1 line to control shifting in external devices. After the eight shift pulses, the shifting is disabled, IFR2 is set, and CB2 will remain at the last data level. See Figure 1-11.

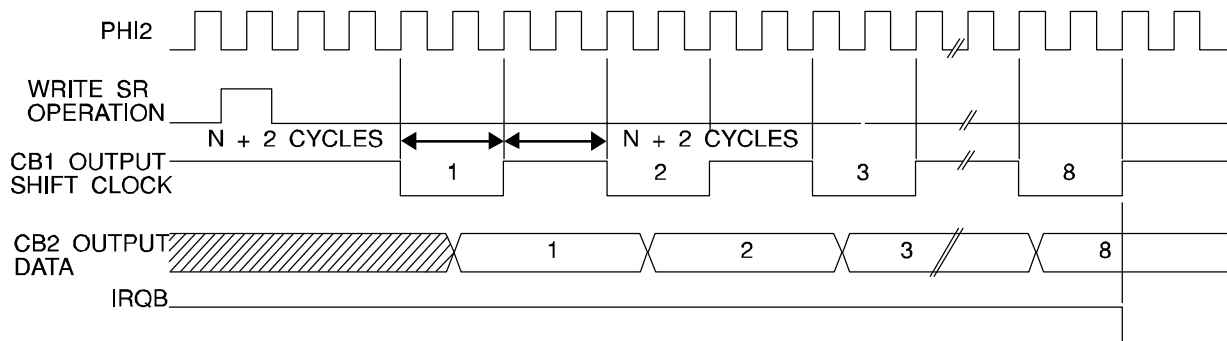


Figure 1-11 Shift Out - T2 Control Timing

1.13.3 Shift Out - PHI2 Clock Control (110)

In this mode, the shift rate is controlled by the system PHI2 clock. See Figure 1-12.

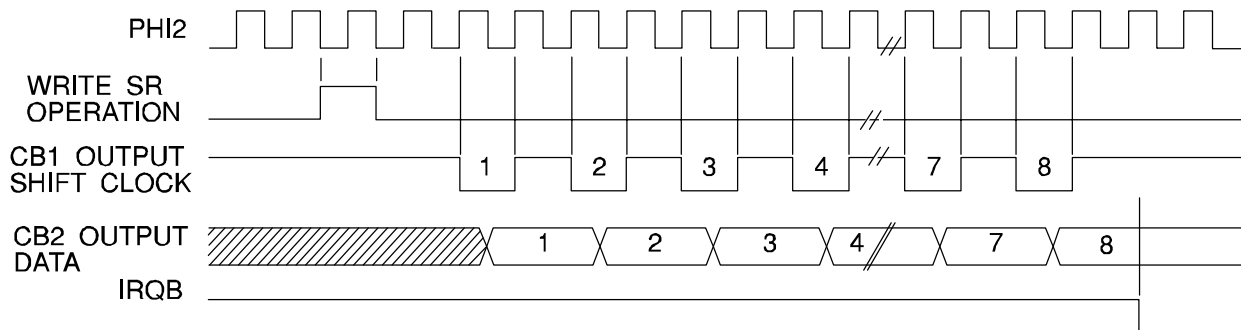


Figure 1-12 Shift Out - PHI2 Control Timing

## 1.13.4 Shift Out - External CB1 Clock Control (111)

In the mode, shifting is controlled by external pulses applied to the CB1 line. The SR Counter sets IFR2 for each eight-pulse count, but does not disable the shifting function. Each time the microprocessor reads or writes the SR, IFR2 is reset and the counter is initialized to begin counting the next eight pulses on the CB1 line. After eight shift pulses, IFR2 is set. The microprocessor can then load the SR with the next eight bits of data. See Figure 1-13.

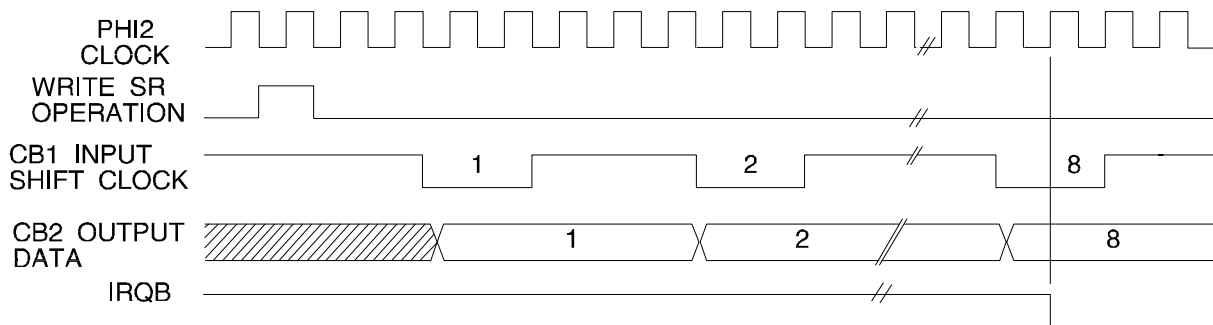


Figure 1-13 Shift Out - External CB1 Clock Control Timing

## 1.14 Interrupt Operation

There are three basic interrupt operations, including: setting the interrupt flag within IFR, enabling the interrupt by way of a corresponding bit in the IER, and signaling the microprocessor using IRQB. An Interrupt Flag can be set by conditions internal to the chip or by inputs to the chip from external sources. Normally, an Interrupt Flag will remain set until the interrupt is serviced. To determine the source of an interrupt, the microprocessor must examine each flag in order, from highest to lowest priority. This is accomplished by reading the contents of the IFR into the microprocessor accumulator, shifting the contents either left or right and then using conditional branch instructions to detect an active interrupt. Each Interrupt Flag has a corresponding Interrupt Enable bit in the IER. The enable bits are controlled by the microprocessor (set or reset). If an Interrupt Flag is a Logic 1, and the corresponding Interrupt Enable bit is a Logic 1, the IRQB will go to a Logic 0. IRQB is a full output driver that allows both Logic 1 and Logic 0 levels. The older NMOS and CMOS IRQB output was open drain pull down only. The IRQB output cannot be wired-ORed with other devices.

All Interrupt Flags are contained within a single IFR. Bit 7 of this register will be Logic 1 whenever an Interrupt Flag is set, thus allowing convenient polling of several devices within a system to determine the source of the interrupt.

The IFR and IER format and operation is shown in Tables 1-11 and 1-12. The IFR may be read directly by the microprocessor, and individual flag bits may be cleared by writing a Logic 1 into the appropriate bit of the IFR. Bit 7 of the IFR indicates the status of the IRQB output. Bit 7 corresponds to the following logic function:

$$IRQ = IFR6 \wedge IER6 \vee IFR5 \wedge IER5 \vee IFR4 \wedge IER4 \vee IFR3 \wedge IER3 \vee IFR2 \wedge IER2 \vee IFR1 \wedge IER1 \vee IFR0 \wedge IER0.$$

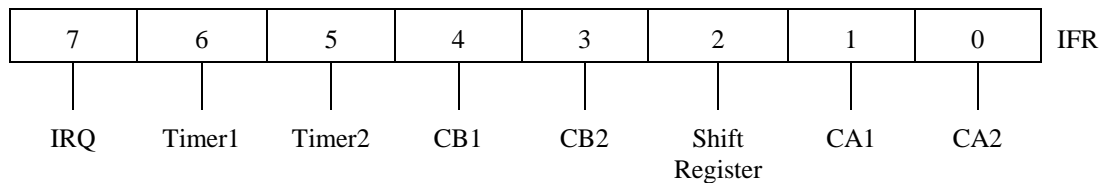
Note:  $\wedge$  = Logical AND,  $\vee$  = Logical OR.

IFR7 is not a flag. Therefore, IFR7 is not directly cleared by writing a Logic 1 into its bit position. It can be cleared, however, by clearing all the flags within the register, or by disabling all active interrupts as presented in the next section.

Each Interrupt Flag within the IFR has a corresponding enable bit in IER. The microprocessor can set or clear selected bits within the IER. This allows the control of individual interrupts without affecting others. To set or clear a particular Interrupt Enable bit, the microprocessor must write to the IER address. During this write operation, if IER7 is a Logic 0, each Logic 1 in IER6 thru IER0 will clear the corresponding bit in the IER. For each Logic 0 in IER6 thru IER0, the corresponding bit in the IER will be unaffected.

Setting selected bits in the IER is accomplished by writing to the same address with IER7 set to a Logic 1. In this case, each Logic 1 in IER6 thru IER0 will set the corresponding bit to a Logic 1. For each Logic 0 the corresponding bit will be unaffected. This method of controlling the bits in the IER allows convenient user control of interrupts during system operation. The microprocessor can also read the contents of the IER by placing the proper address on the Register Select and Chip Select inputs with the RWB line high. IER7 will be read as a Logic 1.

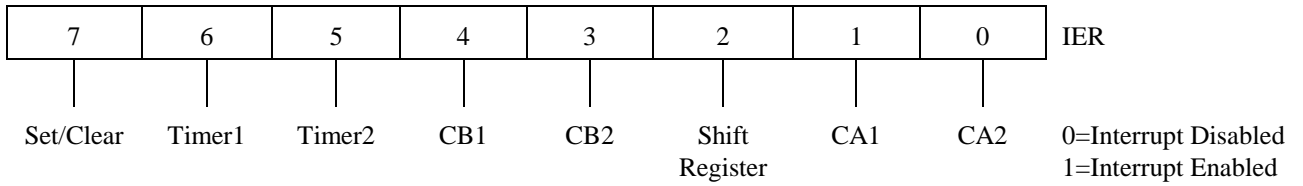
Table 1-11 Interrupt Flag Register (\$0D)



SET BY	CLEARED BY
CA2 active edge	Read or write (ORA*)
CA1 active edge	Read or write (ORA*)
Complete 8 shifts	Read or write Shift Reg.
CB2 active edge	Read or write ORB*
CB1 active edge	Read or write ORB
Time-out of T2	Read T2 low or write T2 high
Time-out of T1	Read T1C-L low or write T1L-H high
Any enabled interrupt	Clear all interrupts

\* If the CA2/CB2 control in the PCR is selected as "independent" interrupt input, then reading or writing the output register ORA/ORB will not clear the flag bit. Instead, the bit must be cleared by writing into the IFR, as described previously.

Table 1-12 Interrupt Enable Register (\$0E)



Notes:

1. If bit 7 is a "0", then each Logic 1 in bits 0-6 disables the corresponding interrupt.
2. If bit 7 is a "1", then each Logic 1 in bits 0-6 enables the corresponding interrupt.
3. If a read of this register is done, bit 7 will be Logic 1 and all other bits will reflect their enable/disable state.



SECTION 2

PIN FUNCTION DESCRIPTION

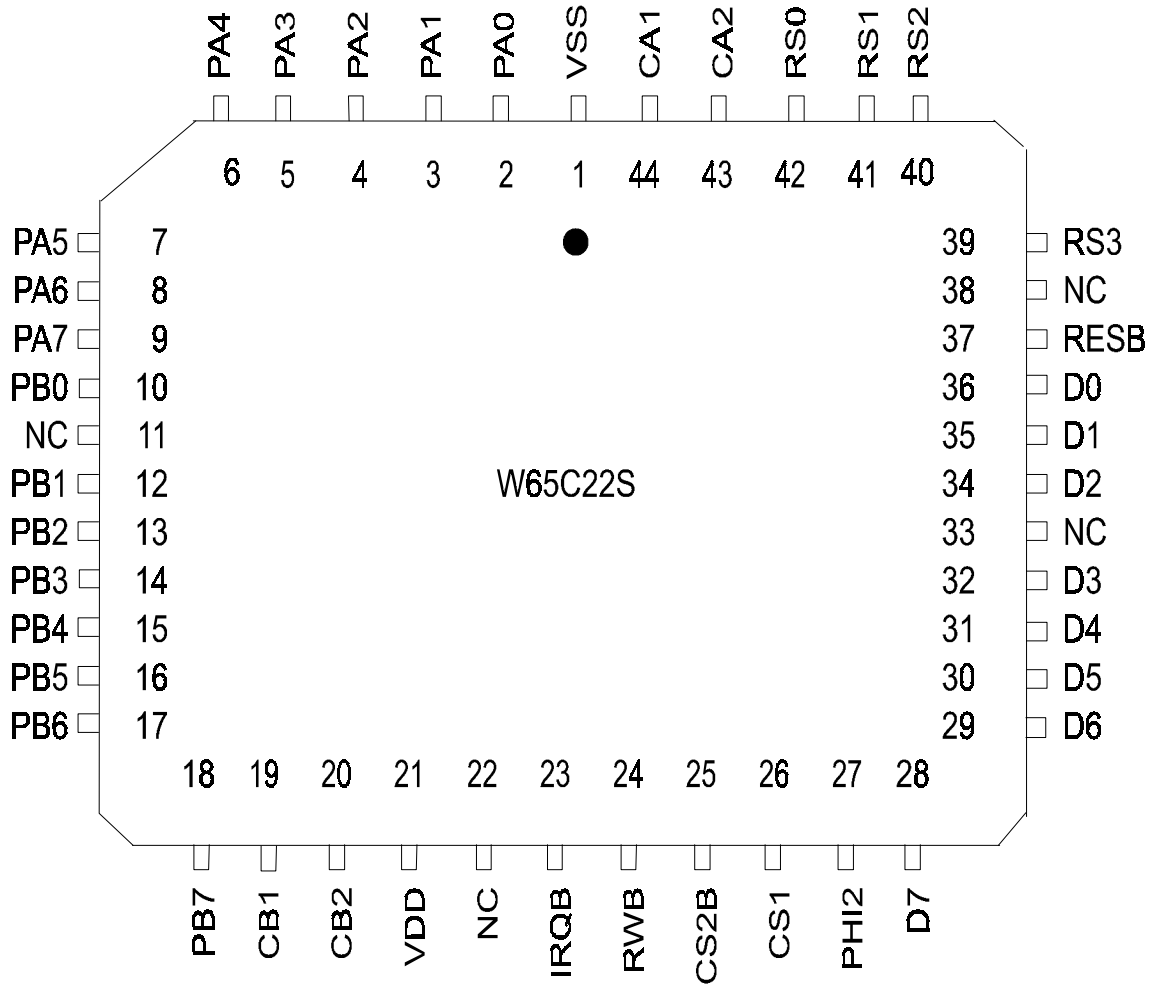


Figure 2-1 44 Pin PLCC Pinout

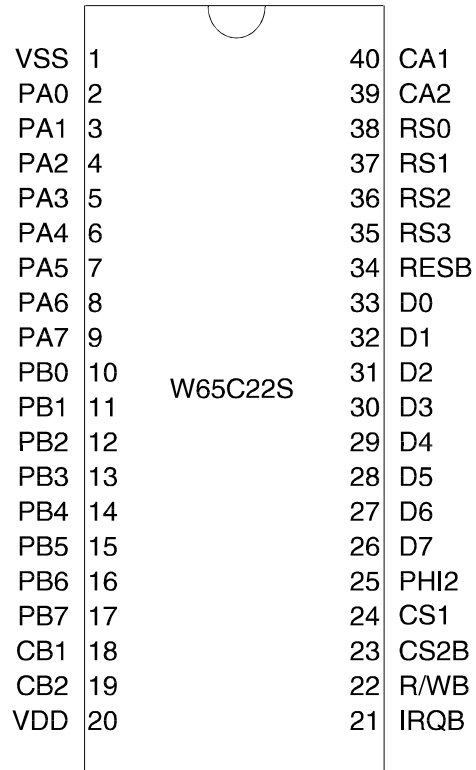


Figure 2-2 W65C22S 40 Pin

PDIP Pinout

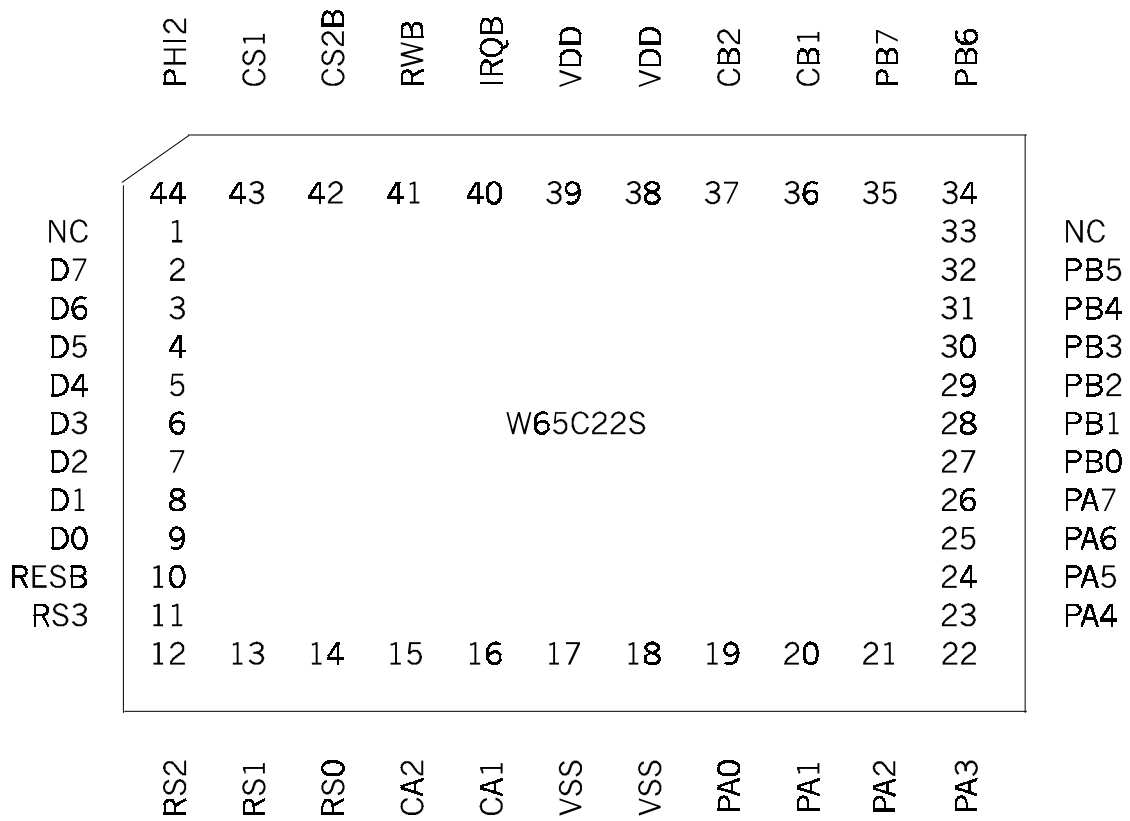


Figure 2-3 W65C22S 44 Pin QFP Pinout

Table 2-1 Pin Function Table

Pin	Description
CA1, CA2	Peripheral A Control Lines
CB1, CB2	Peripheral B Control Lines
CS1, CS2B	Chip Select
D0-D7	Data Bus
IRQB	Interrupt Request
PA0-PA7	Peripheral I/O Port A
PB0-PB7	Peripheral I/O Port B
PHI2	Phase 2 Internal Clock
RESB	Reset
RS0-RS3	Register Select
R/WB	Read/Write
VDD	Positive Power Supply (+5V)
VSS	Internal Logic Ground

### 2.1 Peripheral Data Port A Control Lines. (CA1, CA2)

CA1 and CA2 serve as interrupt inputs or handshake outputs for PA. Each line controls an internal Interrupt Flag with a corresponding Interrupt Enable bit. CA1 also controls the latching of Input Data on PA. CA1 and CA2 are high impedance CMOS inputs with a bus holding device. In the output mode, CA2 will drive one standard TTL load.

### 2.2 Peripheral Data Port B Control Lines. (CB1, CB2)

CB1 and CB2 serve as interrupt inputs or handshake outputs for PB. Like PA, these two control lines control an internal Interrupt Flag with a corresponding Interrupt Enable bit. These lines also serve as a serial data port under control of the SR. Each control line represents a CMOS input with a bus holding device in the input mode and can drive one TTL load in the output mode.

### 2.3 Chip Select (CS1, CS2B)

Normally, CS1 and CS2B are connected to the microprocessor address lines. This connection may be direct or through decoding. To access a selected W65C22S register, CS1 must be a Logic 1 and CS2B must be a Logic 0. These pins have a bus holding device.

## 2.4 Data Bus. (D0-D7)

The eight bidirectional lines D0-D7 are used to transfer data between the W65C22S and the microprocessor. During a Read operation, the contents of the selected W65C22S internal register are transferred to the microprocessor via D0-D7. During a Write operation, D0-D7 serve as high impedance inputs over which data is transferred from the microprocessor to a selected W65C22S register. D0-D7 are in the high impedance state when the W65C22S is unselected but each pin has a bus holding device in case the bus tries to float, the data bus will be held in its previous state.

## 2.5 Interrupt Request. (IRQB)

The IRQB output signal is a Logic 0 whenever an internal Interrupt Flag bit is set to a Logic 1 and the corresponding Interrupt Enable bit is a Logic 1. The IRQB output is a full output driver that outputs both Logic 1 and Logic 0 levels. The older NMOS and CMOS IRQB output was open-drain pull down only, thus allowing the IRQB signal to be wire-ORed to a common microprocessor IRQB input line. The W65C22S IRQB cannot be wire-ored.

## 2.6 Peripheral Data Port A(PA0-PA7)

PA is an 8-line, bidirectional bus used for the transfer of data, control and status information between the W65C22S and a peripheral device. Each PA bus line may be individually programmed as either an input or output under control of DDRA. Data flow direction may be selected on a line-by-line basis with intermixed input and output lines within the same port. When a Logic 0 is written to any bit position of DDRA, the corresponding line will be programmed as an input. Likewise, when a Logic 1 is written into any bit position of the register, the corresponding data line will serve as an output. Polarity of the data output is determined by the ORA, while input data may be latched into the IRA under control of the CA1 line. All modes are program controlled by way of the W65C22S's internal control registers. Each PA line represents a CMOS capacitive load in the input mode and will drive one standard TTL load in the output mode. A typical output circuit for PA is shown in Figure 2-4. The PA data port has improved high impedance CMOS inputs, bus holding devices and high speed CMOS output drive for Logic 1 level. This allows for higher speed operation no longer dependent on the RC time constant of older NMOS and CMOS designs.

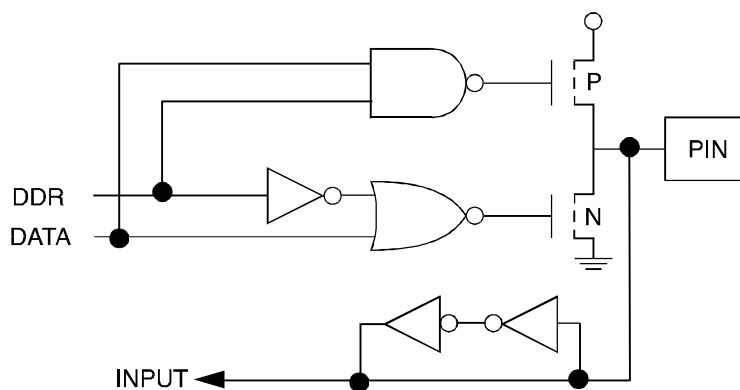


Figure 2-4 Port A Buffer Circuit2 (PA0-PA7, CA2)

## 2.7 Peripheral Data Port B (PB0-PB7)

PB is an 8-line, bidirectional bus which is controlled by an ORA, IRB, and DDRB in a manner much the same as PA. With respect to PB, the output signal on line PB7 may be controlled by Timer 1 while Timer 2 may be programmed to count pulses on the PB6 line. PB lines represent one CMOS high impedance load in the input mode and will drive one TTL load in the output mode. PB lines are also capable of sourcing 3.0 mA at 1.5 Vdc in the output mode. This allows the output to directly drive Darlington transistor circuits. A typical output circuit for PB is shown in Figure 2-5.

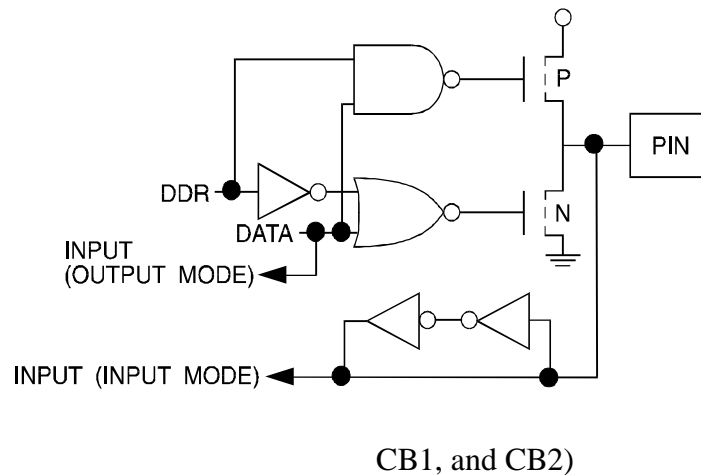


Figure 2-5 Port A, B, Data Bus, Buffer (CA2, CB1, and CB2)

## 2.8 Phase 2 Internal Clock. (PHI2)

The system PHI2 Input Clock controls all data transfers between the W65C22S and the microprocessor.

## 2.9 Reset.9 Reset (RESB)

Reset clears all internal registers (except T1 and T2 counters and latches, and the SR. In the RESB condition, all pins are placed in the input state and bus holding devices maintain initial level if not driven. The initial level can be Logic 1 or Logic 0 and are not initialized by on-chip circuitry. Also, T1 and T2, SR and the interrupt logic are disabled from operation. All inputs have NOR gates with reset overriding the input pin value. Schmitt trigger NOR gates are on CA1, CA2, DB1, CB2, and PH2. Reset has a Schmitt trigger inverter input.

## 2.10 Register Select. (RS0-RS3)

The RS0-RS3 inputs allow the microprocessor to select one of 16 internal registers within the W65C22S. Refer to Table 1 for Register Select coding and a functional description.

## 2.11 RWB (Read/Write)

The RWB signal is generated by the microprocessor and is used to control the transfer of data between the W65C22S and the microprocessor. When RWB is at a Logic 1 and the chip is selected, data is transferred from the W65C22S to the microprocessor (Read operation). Conversely, when RWB is at a Logic 0, data is transferred from the processor to the selected W65C22S register (Write operation). RWB must always be preceded by a proper level on CS1, CS2B.

## 2.12 VDD and VSS.

VDD is the positive supply voltage and VSS is system logic ground.

**SECTION 3**  
**TIMING, AC AND DC CHARACTERISTICS**

3.1 Absolute Maximum Ratings.

Table 3-1 Absolute Maximum Ratings

Rating	Symbol	Value
Supply Voltage	VDD	-0.3 to +7.0V
Input Voltage	VIN	-0.3 to VDD +0.3V
Storage Temperature	TS	-55°C to +150°C

This device contains input protection against damage due to high static voltages or electric fields; however, precautions should be taken to avoid application of voltages higher than the maximum rating.

Note: Exceeding these ratings may result in permanent damage. Functional operation under these conditions is not implied.

## 3.2 DC Characteristics. VDD = 5.0V +/- 5%, VSS = 0V, TA = 0°C to +70°C

Table 3-2 DC Characteristics

Parameter	Symbol	Min	Max	Unit
Input High Voltage - All inputs	Vih	VDD-0.2	VDD+0.3	V
Input Low Voltage - All inputs	Vil	VSS-0.3	VSS+0.2V	V
Input Leakage Current, Vin = 0.4V to 2.4V All inputs	Iin	-	+/-1.0	uA
Three-State (Off State), Vin = 0.4 to 2.4V Leakage Current - Data Bus	I <sub>tsi</sub>	-	+/-10.0	uA
Output Low Voltage (I <sub>ol</sub> = 3.2mA) All outputs	V <sub>ol</sub>	-	0.4	V
Output High Voltage (I <sub>oh</sub> = -200uA) All outputs	V <sub>oh</sub>	2.4	-	V
Output High Current (Sourcing) V <sub>oh</sub> =1.5V Direct Transistor Drive - All outputs	I <sub>oh</sub>	-3.0	-10.0	mA
Supply Current (No Load)	I <sub>dd</sub>	-	0.5	mA/MHz
Input Capacitance, f = 1 MHz	C <sub>in</sub> *	-	5.0	pF
Output Capacitance, f = 1 MHz	C <sub>out</sub> *	-	10.0	pF

\*Tested on a sample basis only



3.3 General AC Characteristic Equations  $V_{DD}=5.0V \pm 5\%$ ,  $V_{SS}=0V$ ,  $T_A=0^{\circ}C$  to  $+70^{\circ}$ Table 3-3A W65C22S 8MHz . 10MHz AC Characteristics  
Processor Interface Timing

Parameter	Symbol	8MHz		10MHz		Unit
		Min	Max	Min	Max	
Cycle Time	tCYC	125	-	100	-	nS
Phase 2 Pulse Width High	tPWH	62	-	50	-	nS
Phase 2 Pulse Width Low	tPWL	62	-	50	-	nS
Phase 2 Transition	tR,F	-	7	-	7	nS

## Read Timing (Figure 3-1)

Select, RWB Setup	tACR	10	-	10	-	
Select, RWB Hold (PHI2 rising edge)	tCAR	10	-	10	-	nS
Data Bus Delay	tCDR	-	35	-	25	nS
Data Bus Hold Time	tHR	10	-	10	-	nS
Peripheral Data Setup	tPCR	30	-	10	-	nS

## Write Timing (Figure 3-2)

Select, RWB Setup	tACW	10	-	10	-	nS
Select, RWB Hold (PHI2 rising edge)	tCAW	10	-	10	-	nS
Data Bus Setup	tDCW	10	-	10	-	nS
Data Bus Hold	tHW	20	-	20	-	nS
Peripheral Data Delay	tCPW	-	500	-	500	nS

Table 3-3B W65C22S AC  
Peripheral Interface Timing (see Figures 3-1 through 3-12)

Parameter	Symbol	Min	Max	Unit	Figure
Rise & Fall Time for CA1, CB1, CA2 and CB2 Input Signals	tR, tF	-	10	nS	-
Delay Time, Clock Negative Transition to CA2 Negative Transition (Read Handshake or Pulse Mode)	tCA2	-	105	nS	3-3 3-4
Delay Time, Clock Negative Transition to CA2 Positive Transition (Pulse Mode)	tRS1	-	105	uS	3-3
Delay Time, CA1 Active Transition to CA2 Positive Transition (Read Handshake Mode)	tRS2	-	135	nS	3-4
Delay Time, Clock Positive Transition to CA2 or CB2 Negative Transition (Write Handshake)	tWHS	-	105	nS	3-5 3-6
Delay Time, Peripheral Data Valid to CB2 Negative Transition	tDS	-	135	nS	3-5 3-6
Delay Time, Clock Positive Transition to CA2 or CB2 Positive Transition (Write Pulse Mode)	tRS3	-	220	nS	3-5
Delay Time, CA1 or CB1 Active Transition to CA2 or CB2 Positive Transition (Handshake Mode)	tRS4	-	125	ns	3-6
Delay Time Required from CA2 Output to CA1 Active Transition (Write Handshake Mode)	t21	-	125	nS	3-6
Set-up Time, Peripheral Data Valid to CA1 or CB1 Active Transition (Input Latching)	tIL	92	-	nS	3-7
Shift-Out Delay Time - Time from PHI2 Falling Edge to CB2 Data Out	tSR1	-	43	nS	3-8
Shift-In Set-up Time - Time from CB2 Data in to PHI2 Rising Edge	tSR2	155	-	nS	3-9
External Shift Clock (CB1) Set-up Time Relative to PHI2 Trailing Edge	tSR3	0	tCYC	nS	3-9
Pulse Width - PB6 Input Pulse	tIPW	2x tCYC	-	nS	3-11
Pulse Width - CB1 Input Clock	tICW	2x tCYC	-	nS	3-10
Pulse Spacing - PB6 Input Pulse	tIPS	2x tCYC	-	nS	3-11
Pulse Spacing - CB1 Input Pulse	tICS	2x tCYC	-	nS	3-10
CA1, CB1 Set Up Prior to Transition to Arm Latch	tAL	125	-	nS	3-7
Peripheral Data Hold after CA1, CB1 Transition	tPDH	20	-	nS	3-7

Note: See Figure 3-12 for test load

3.4 Timing Diagrams.

Note: Measurement points are 1.5V and 1.5V unless otherwise specified.

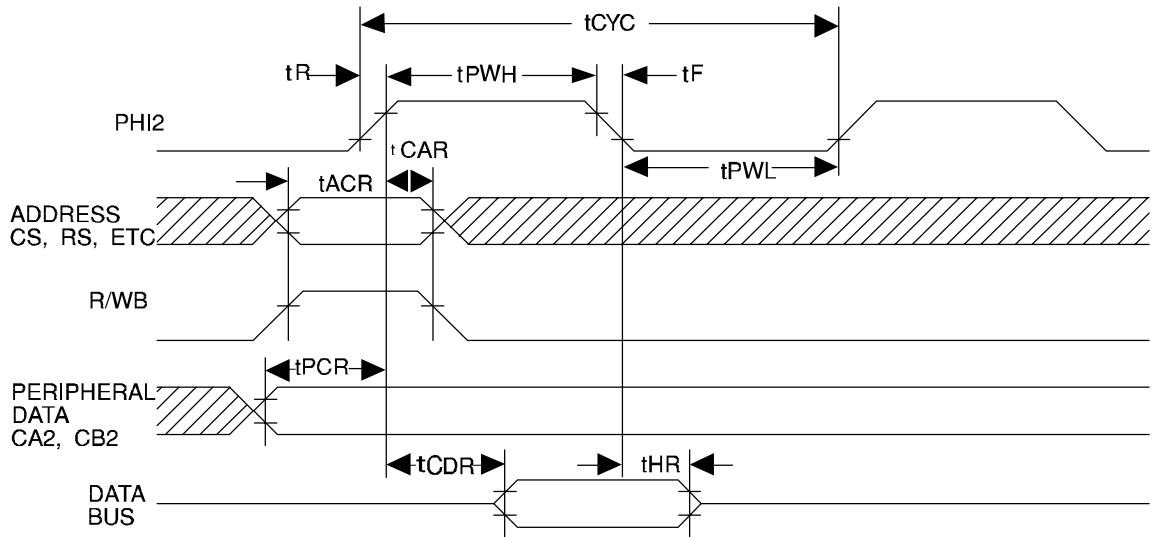
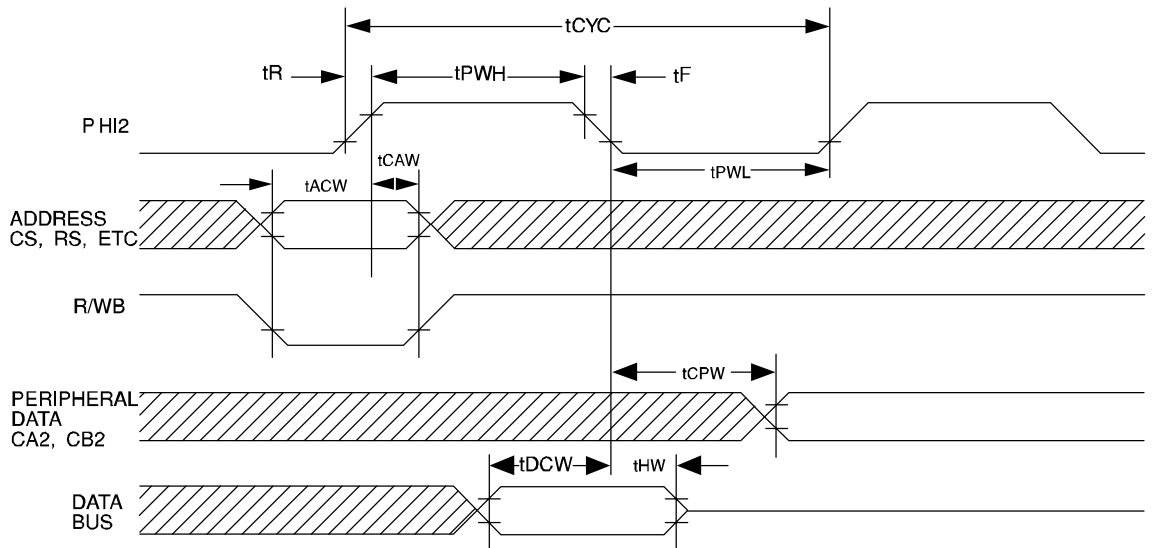


Figure 3-1 Read Timing

Figure 3-2 Write Timing



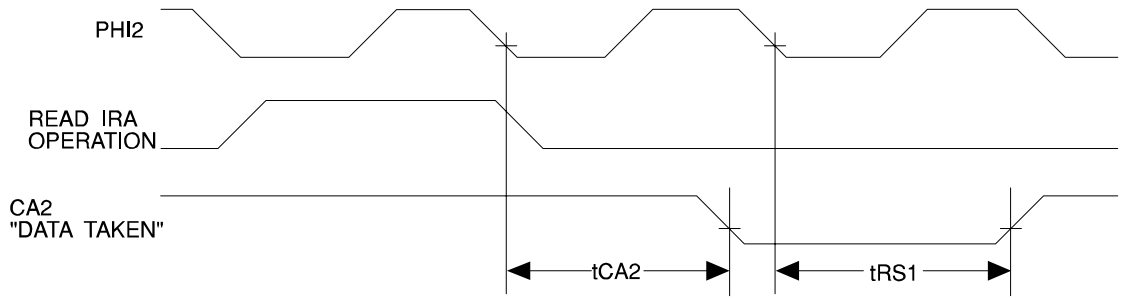


Figure 3-3 Read Handshake, Pulse Mode (CA2)

Figure 3-4 Read Handshake, Handshake Mode Timing (CA2)

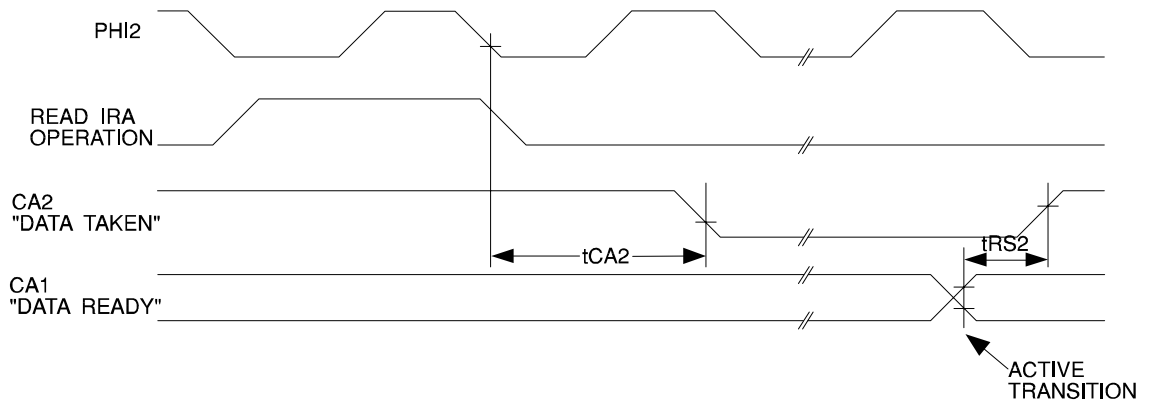
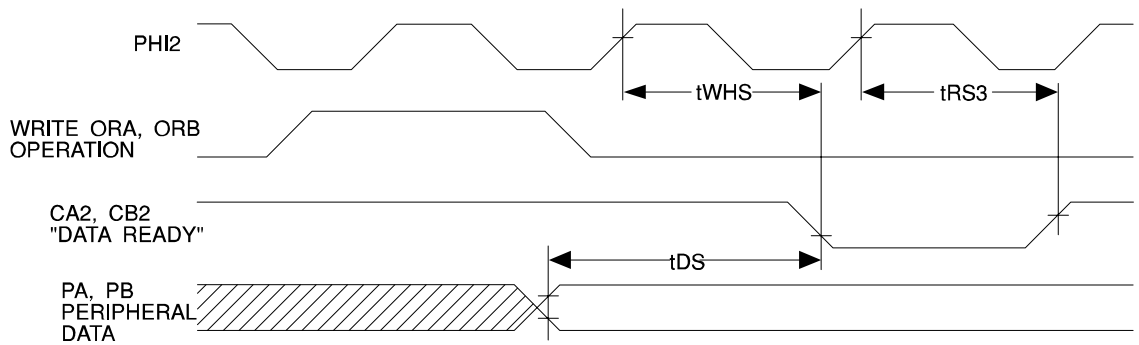


Figure 3-5 Write Handshake, Pulse Mode Timing (CA2, CB2)



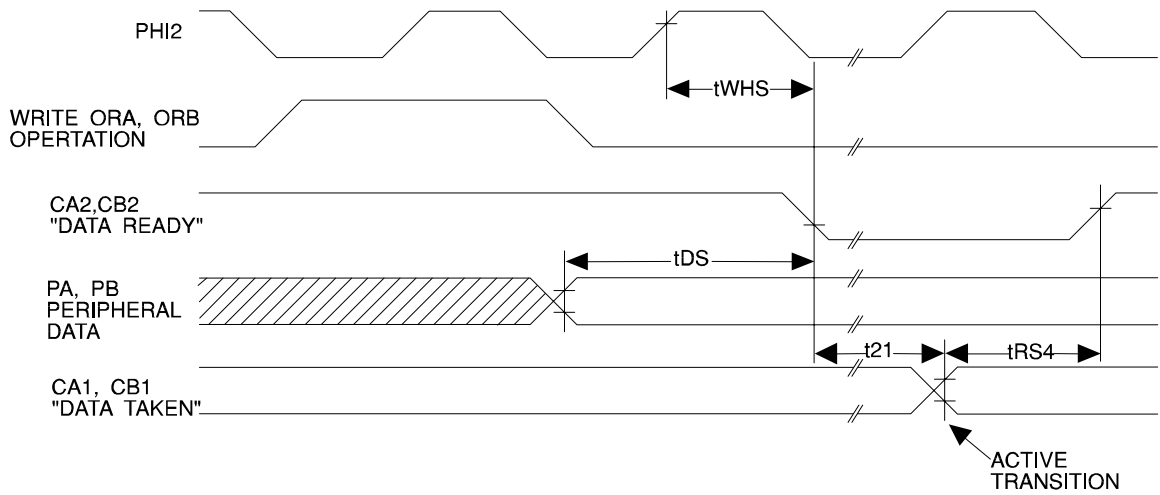


Figure 3-6 Write Handshake, Handshake Mode Timing (CA2, CB2)

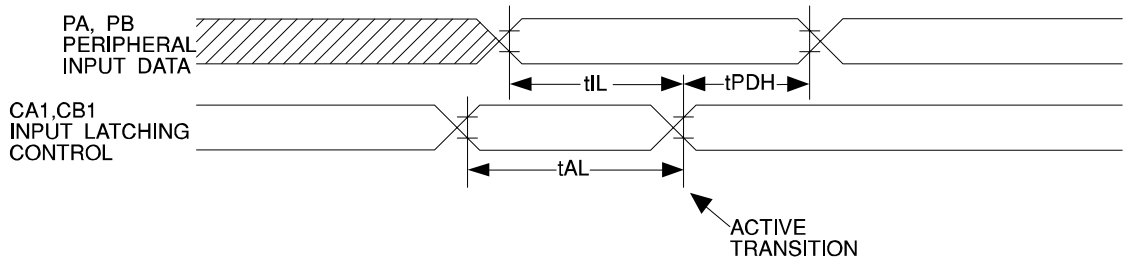
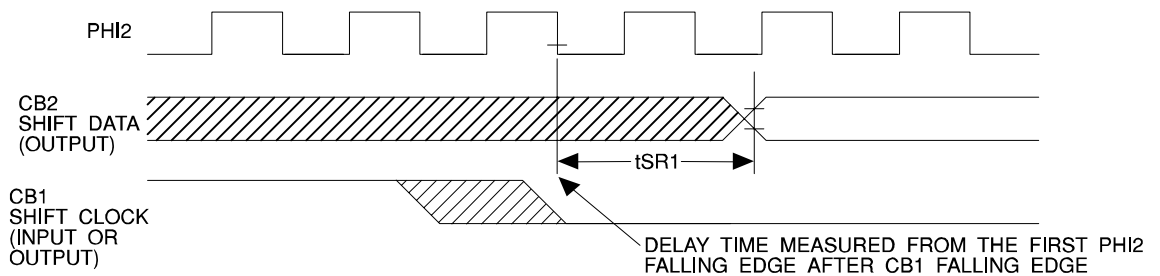


Figure 3-7 Peripheral Data, Input Latching Timing

Figure 3-8 Data Shift Out, Internal or External Shift Clock Timing



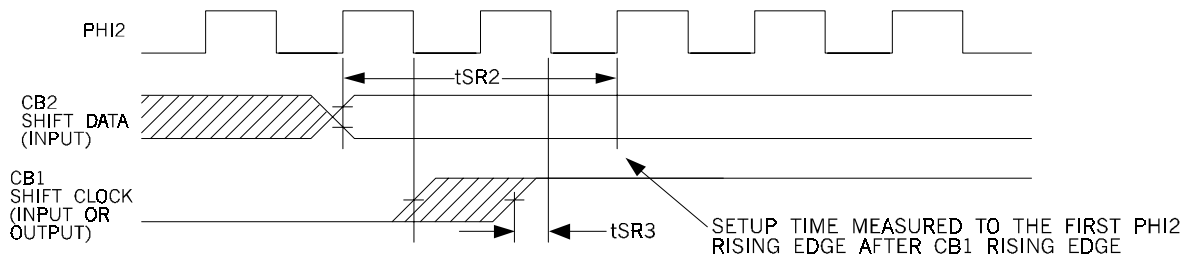


Figure 3-9 Data Shift In, Internal or External Shift Clock Timing

Figure 3-10 External Shift Clock Timing

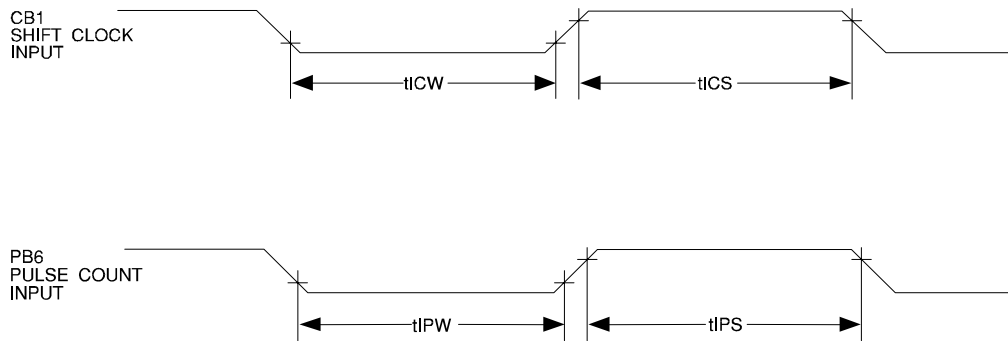


Figure 3-11 Pulse Count Input Timing

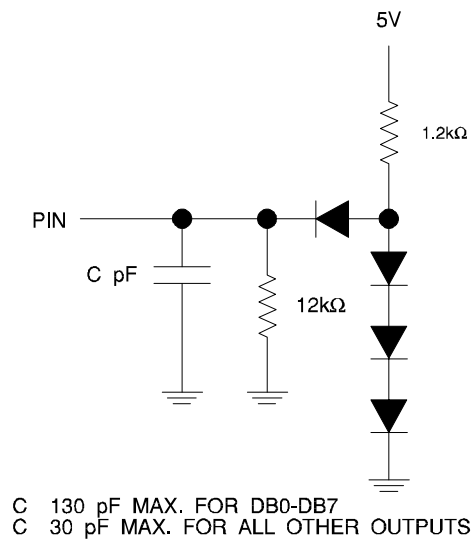


Figure 3-12 Test Load (All Dynamic Parameters)

## SECTION 4

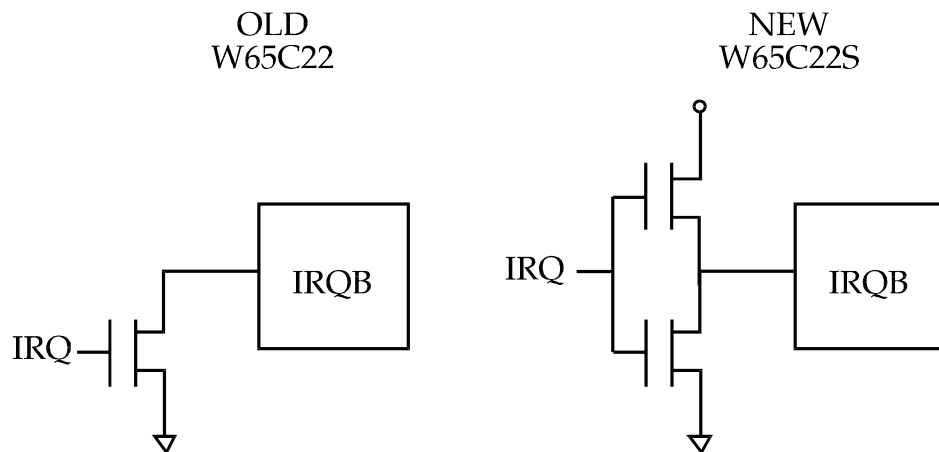
## CAVEATS

## 4.1 Caveats

1. On older versions of the 6522 and 65C22, which are not internally chip-selected, random registers are read due to register select values. The W65C22S selects only register 15 (\$F) internally. This feature has been added for systems which have indeterminate register select values.

2. When outputting the Shift Clock, the CB1 pin may be overdriven without affecting the shifting function. However, this is not recommended as it will result in high currents and possible damage to the part. Because some systems have been arbitrating the clock after data has been transferred, this feature was added.

3. There is a major design difference between the W65C22S and all previous versions of the 6522 and 65C22. The IRQB pin on the W65C22S is a standard totem pole output. It is no longer open drain and cannot be wire OR'ed. This change was made to improve the low power, high speed characteristics of the part.



**SECTION 5  
HARD CORE MODEL**

5.1 W65C22C Core Information

1. The W65C22C is functionally equivalent to the W65C22S.
2. The ESD and latch-up buffers have been removed.
3. The output drive capability is reduced.
  - 3a. The high output drive of the W65C22C is about one-sixth of the W65C22S.
  - 3b. The low output drive of the W65C22S is about one-sixth of the W65C22S.
4. The following inputs, if not used, must be held in the high state: CS1 and CS2 should be held in the low state.
5. The timing of the W65C22C is the same as the W65C22S.



**SECTION 6  
SOFT CORE RTL MODEL**

**UNDER CONSTRUCTION**

**SECTION 7  
FIRM CORE MODEL**

**UNDER CONSTRUCTION**

**SECTION 8  
ORDERING INFORMATION**

W65C22SPL-10	
<b>Description</b> W65C = standard product	W65C
<b>Product Identification Number</b>	22S
<b>Foundry Process</b> Blank = 1.2u 8 = .8u	
<b>Package</b> P = Plastic Dual-In-Line, 40 pins PL = Plastic Leaded Chip Carrier, 44 pins Q = Quad Flat Pack, 44 pins	PL
<b>Temperature/Processing</b> Blank = 0°C to + 70°C	
<b>Speed Designator</b> -10 = 10MHz	-10

To receive general sales or technical support on standard product or information about our module library licenses, contact us at:

The Western Design Center, Inc.  
2166 East Brown Road  
Mesa, Arizona 85213 USA  
Phone: 480-962-4545 Fax: 480-835-6442  
e-mail: [information@westerndesigncenter.com](mailto:information@westerndesigncenter.com)  
WEB: <http://www.westerndesigncenter.com>

**WARNING:** MOS CIRCUITS ARE SUBJECT TO DAMAGE FROM STATIC static electrical charge build-ups. Industry established recommendations for handling MOS circuits include:

1. Ship and store product in conductive shipping tubes or conductive foam plastic. Never ship or store product in non-conductive plastic containers or non-conductive plastic foam material.
2. Handle MOS parts only at conductive work stations.
3. Ground all assembly and repair tools.